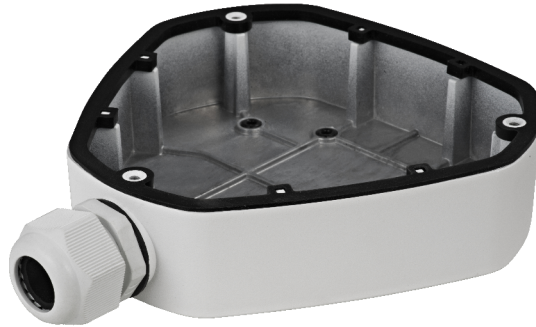


DS-1280ZJ-DM25



FEATURES:

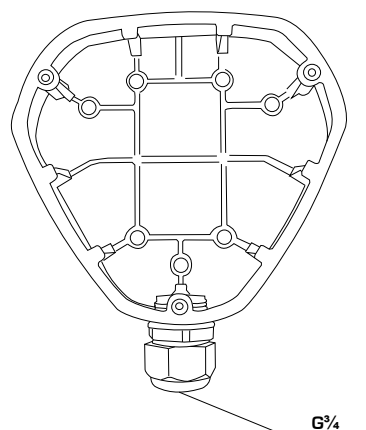
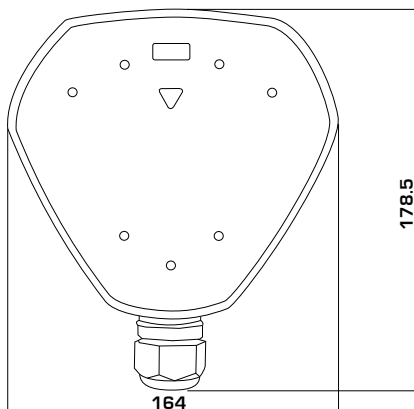
- Aluminum alloy material with surface spray treatment
- Waterproof design
- Cable hole on bracket makes the feature better

DS-1280ZJ-DM25

SPEC	
Parameters	Junction box
Colour	Hik White
Feature	Suitable for fisheye camera
Material	Aluminum Alloy
Dimension	178.5 x 41 x 164mm
Weight	340g

INFORMATION:

- The bracket should be installed on a flat wall
- The wall must be capable of supporting over 3 times as much as the total weight of the camera and the mount
- The maximum load capacity of the bracket is 4.5kg
- Waterproof ribber is necessary for outdoor application



unit: mm

