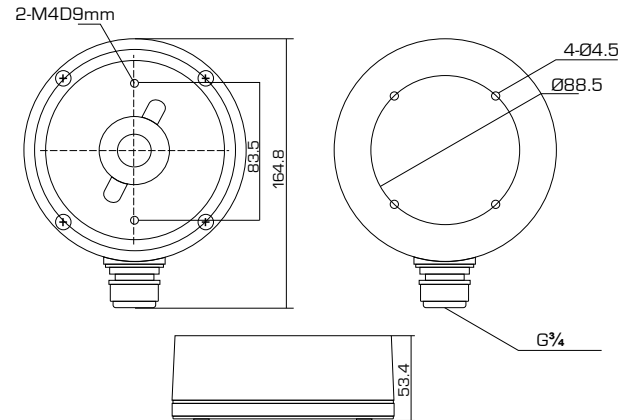


DS-1280ZJ-DM22



FEATURES:

- Aluminum alloy material with surface spray treatment
- Waterproof design

DS-1280ZJ-DM22

SPEC

Parameters	Junction box
Colour	Hik White
Feature	Suitable for dome cameras
Material	Aluminum Alloy
Dimension	Ø137 x 164.8 x 53.4mm
Weight	520g