

# Clarius®



## PRODUCT CODES

**IM-8-IP** Medium Clarius PLUS IP Infra-Red Illuminator 850nm

**IM-9-IP** Medium Clarius PLUS IP Infra-Red Illuminator 940nm

### FEATURES

IR illuminator designed to provide dedicated lighting for IP cameras via PoE+ (power over ethernet)
Angle 10°, 20°, 30°, 60°, 80° & 95°
Web browser interface
Direct integration with VMS system
Elliptical beam profiles
IEEE02at compliant
Latest SMT Dual Core® LED technology
Distances up to 187m (614')
850nm or 940nm wavelengths
5 year warranty
IP66 weather proof rating
Built-in photocell IR on/off
Photocell following contact
Telemetry input for remote switching
Vibration sensor
CleanLITE® self cleaning lens coating technology
High quality anodised aluminium heatsink

## Medium IP IR LED Illuminator

The Clarius® Plus IP is a high performance Infra-Red illuminator.

Incorporating the latest surface mount LED's with enhanced optical output and outstanding reliability, they deliver excellent night-time images.

The Clarius® Plus IP is a internet protocol connected illuminator with integrated web browser interface.

The Clarius® Plus IP range of illuminators includes a new interchangeable lens diffuser system; which allows the user to quickly and easily alter the angle of illumination. Elliptical beam profiles allow more light to be delivered where it is needed, allowing both longer distances and minimising light wastage. The system also helps to prevent overexposure of foreground objects.

As standard the illuminator includes interchangeable lensing to deliver 10° circular, 20°, 30°, 60°, 80° & 95° elliptical beam profiles.

### Supported VMS Software

AXIS Communications  
Milestone  
Genetic  
Mirasys  
Wavestore  
Network Optic  
Bosch  
SeeTec  
Concept Pro HD-IP  
Embsec  
QNAP  
Griffid  
Kentima  
Qulu  
M2M VX Core  
Hikvision  
Control by Web

### Supported cameras for direct control

AXIS Communications  
LILIN  
Hikvision  
Dahua  
Mobotix  
Sony  
Ernitec  
Bosch  
Genie

### Supported Home Automation Software

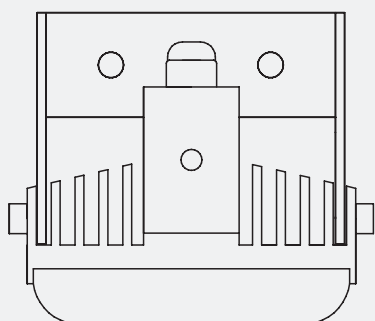
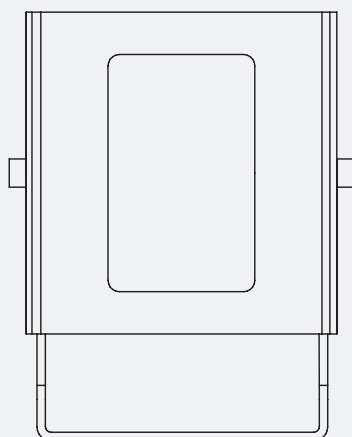
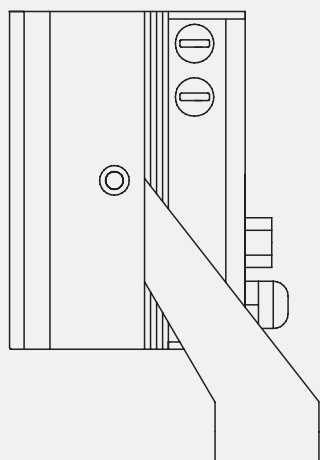
Control 4  
RTI  
Crestron  
Lutron  
URC  
Rako

### INTERCHANGEABLE DIFFUSER LENS



Product Code	Wavelength	Angle	Distance		FOV	
IM-8-IP	850nm	10° - Circular	187m	614'	33m	107'
		20° - Elliptical	128m	418'	45m	148'
		30° - Elliptical	94m	307'	50m	164'
		60° - Elliptical	60m	195'	69m	225'
		80° - Elliptical	43m	139'	71m	234'
		95° - Elliptical	30m	98'	65m	213'
IM-9-IP	940nm	10° - Circular	115m	376'	20m	66'
		20° - Elliptical	80m	262'	28m	93'
		30° - Elliptical	65m	213'	35m	114'
		60° - Elliptical	40m	131'	46m	152'
		80° - Elliptical	30m	98'	50m	165'
		95° - Elliptical	20m	66'	44m	143'

## TECHNICAL SPECIFICATIONS



### GENERAL

#### Electronics

High Efficiency Surface Mount High Power **Dual Core LEDs™** With Advanced Current Limited Integral Control Circuitry

#### Construction Front Window

Robust High Quality Aluminium Extrusion  
Polycarbonate High Transmission Protective (Vandal Proof) IR Filter with CleanLITE® Technology

#### Finish Power Cable Interface Connector

Black Anodised  
3m (9ft)  
Photocell Following Contact & Remote Telemetry Input

#### Pressure Equalisation Vent Photocell Illumination

Prevents Thermal Expansion & Pressure Cycling  
Software Adjustable 20 -70 Lux  
Software Adjustable 10% - 100% with Low power and pulse modes

#### Vibration/Knock sensor Operating Temperature

Software adjustable sensitivity  
-50° to 60°C (-58° to 140°F)

#### Weight

1.05Kg (2.3lbs)

#### Mount

Powder Coated Stainless Steel Wall Mount

#### Dimensions

111 x 110 x 78mm (4.49" x 4.33" x 3.07")

### ELECTRICAL

#### High Power over Ethernet Consumption User Interface

IEEE802at Compliant, TCP/IP

26W

Web browser user interface. No software or installation needed

### WAVELENGTH

#### Standard Optional

850nm (Semi Covert). Faint Red Glow Only  
940nm (Covert). Minimal Visible Glow

### CERTIFICATIONS

#### WEEE

Waste Electrical & Electronic Equipment European Directive 202/96/EC

**Environmental**  
IEC/EN 60529

IP66

#### RoHS

Restriction Of Hazardous Substance European Directive 202/95/EC

IEC/EN 62262  
EN 50130-5

IK09  
(Alarm-environmental)

#### CE-EMC

EN 61547  
EN 55015  
EN 55032, Class B  
EN 55024  
EN 62493  
EN 50130-4

(Lighting-Immunity)  
(Lighting-Emission)  
(IT-Emission)  
(IT-Immunity)  
(Lighting-EMF)  
(Alarm-EMC)

N2580, EN 50581

(RoHS), REACH

**USA**  
cULus, UL 1598  
FCC, Class B

#### AUS

RCM (AS/NZS  
CISPR 22 Class B)

#### CE-LVD

EN 60598-1  
EN 60598-2-1  
EN 62368-1 / EN 60950-22

(Luminaires-General)  
(Luminaires)

#### Safety

EN 62471

(LED safety)



www.qjd.co.uk | info@qjd.co.uk | +44 (0) 1706 363 998

Unit 2 Birch Business Park, Whittle Lane, Heywood, Lancashire, OL10 2SX